

ADAPTER TRI-CLAMP TO PUSH-IN

Adapter Tri-Clamp Push-in (for e.g. Air)

Adapter Tri-Clamp to Push-in Connector.

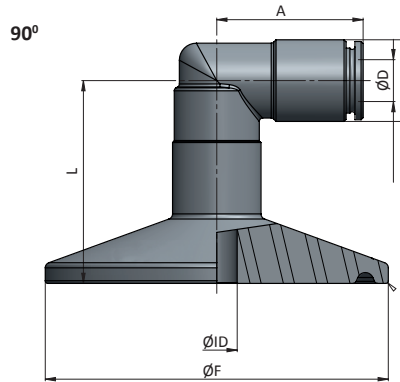
An unique push-in fitting for PTFE or FEP tubing with a tri-clamp connection. The ideal fitting for air and gases that is very easy to use; disconnect and connect in a second. It is manufactured from solid, fully retraceable 316L bar stock. The fitting is compact and has got a very smooth surface finish.



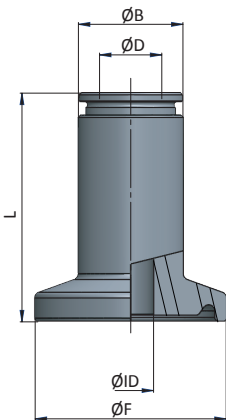
Technical information

Sizes	see table
Connections	Tri-clamp, Push-in
Material	Wetted parts 1.4404 (316L)
Finishes	Interior surfaces SF1
Certificates (st.)	3.1 material
Certificates (opt.)	2.2 surface finish

218



Straight



ØF	ØID	ØD	ØB	L	A
Straight					
25	6	6	12	29.5	-
25	6	8	13.7	30	-
25	8	10	16	30	-
50.5	4	6	12	29.5	-
50.5	6	8	14	30	-
50.5	8	10	16	30	-
90°					
25	6	6	12	30	21.5
25	6	8	14	30	23
25	8	10	16	32	26
50.5	6	6	12	30	21.5
50.5	6	8	14	30	23
50.5	8	10	16	32	26



ROMYNOX

RX: F-A

These are standard items. We also deliver other sizes, according to ISO, DIN and SMS. For more and the latest information use the QR-code to go to the website.