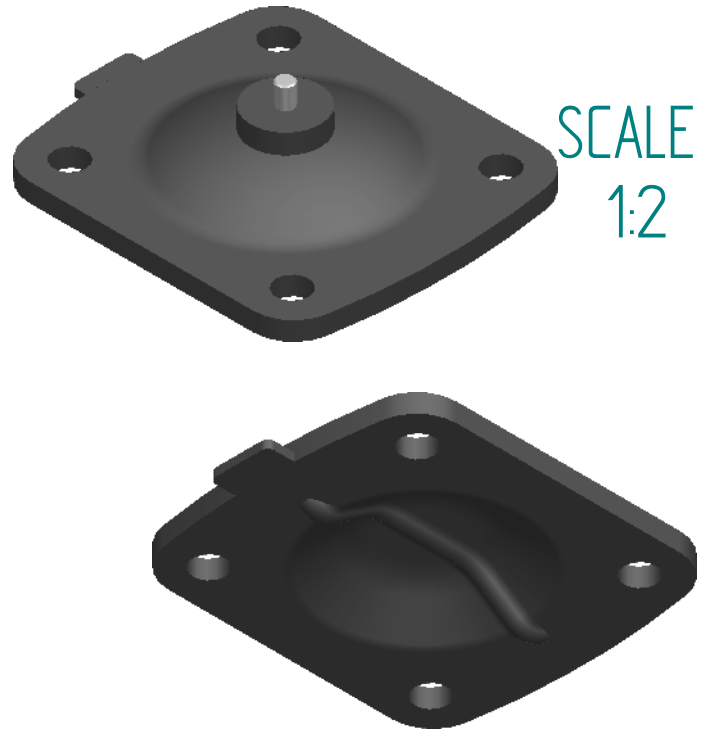
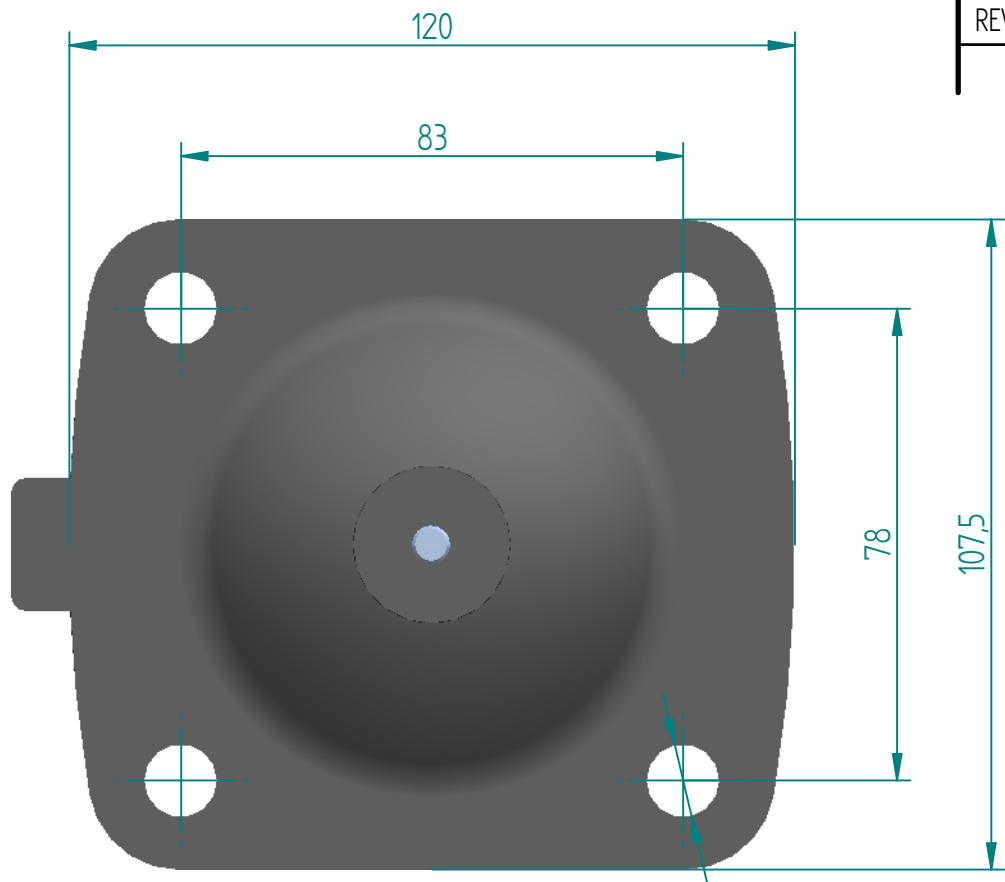
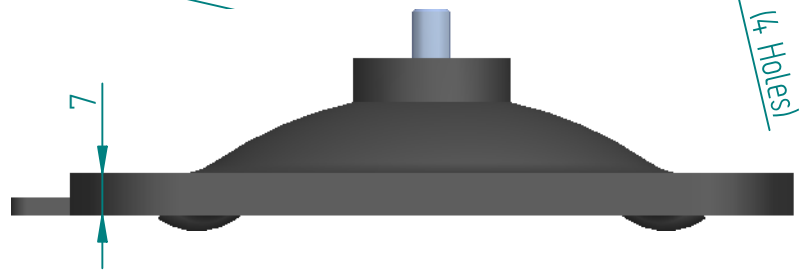


REVISION HISTORY

REV	DESCRIPTION	DATE	APPROVED



1/4" - Whitworth (INSERT SCREW)



Replacement Diaphragm for :-  
 OEM PART = 2.000-EF  
 USED ON 2" (DN50) [SAUNDERS®] Diaphragm Valve

	NAME	DATE
DRAWN	M.MC KEON	08/21/14
CHECKED		

**Material - EPDM**

Complies with CFR 177.2600  
 and Conforms to  
 USP Class VI Biological Reactivity  
 Tests Section #87 and #88



TITLE	<b>DD20-SE7</b>	
SIZE	<b>ROMYNOX</b>	REV
A		B

FILE NAME: DD20-SE7.dft		
SCALE: 1 : 1.25	ECC:0605	SHEET 1 OF 1

Disclaimer - Diaphragm Direct® does not manufacture, represent, nor sell OEM valves or diaphragms manufactured by any other company. Diaphragm Direct® brand diaphragms are not sponsored by any other manufacturers. Any name, model, part number, brand, image, material or referral is for descriptive purposes only. Diaphragm Direct® brand replacement diaphragms are guaranteed to fit OEM equipment and meet or exceed OEM specifications. Diaphragm Direct® brand replacement diaphragms are covered by the standard Diaphragm Direct® limited product warranty.